



POWERDASH™ CARPET CLEANER

FACCW21R0K USER MANUAL

IMPORTANT: READ ALL INSTRUCTIONS CAREFULLY BEFORE ASSEMBLY AND USE.

This product is intended for Household use only. If used Commercially warranty is VOID.

Questions or concerns?

For assistance, please call Customer Service at 1-300-698-130 from Australia, or 0-800-126-688 from New Zealand, Mon-Fri 9am-6pm EST before returning this product to the store.



IMPORTANT SAFETY INSTRUCTIONS SAVE THESE INSTRUCTIONS

READ ALL SAFETY WARNINGS AND INSTRUCTIONS BEFORE USING THIS PRODUCT.

WARNING: When using an electrical product, basic precautions should always be followed to avoid electric shock, fire, and/or serious injury, including the following:

INTENDED USE

This machine is intended for household use only, for indoor carpet cleaning during dry weather conditions

Fully assemble product prior to use.

Operate cleaner only at voltage specified on rating label on lower back of cleaner.

Do not leave appliance when plugged in. Unplug from outlet when not in use and before cleaning or servicing.

Use indoors only. Do not immerse in liquid. Use only on surfaces moistened by the cleaning process.

To reduce the risk of fire and electric shock due to internal component damage, use only Hoover® cleaning fluids intended for use with this appliance.

This appliance is not intended for use by persons (including children) with reduced physical, sensory or mental capabilities, or lack of experience and knowledge, unless they have been given supervision or instruction concerning use of the appliance by a person responsible for their safety. Children should be supervised to ensure that they do not play with the appliance.

Use only as described in this user's manual. Use only HOOVER® recommended attachments.

Do not use product with damaged cord or plug. If product is not working as it should, has been dropped, damaged, left outdoors, or dropped into water, call customer service at 1-300-698-130 from Australia or 0-800-126-688 from New Zealand prior to continuing use.

Do not pull or carry by cord, use cord as a handle, close a door on cord, or pull cord around sharp edges or corners. Do not place product on cord. Do not run appliance over cord. Keep cord away from heated surfaces. Do not unplug by pulling on cord. To unplug, grasp the plug, not the cord. Do not handle plug or appliance with wet hands.

Do not put any object into openings. Do not use with any opening blocked; keep free of dust, lint, hair, and anything that may reduce air flow.

Keep hair, loose clothing, fingers, and all parts of body away from openings and moving parts.

Turn off all controls before unplugging.

Do not place cleaner on stairs or furniture, as it may result in injury or damage.

Do not use to pick up flammable or combustible liquids, such as petrol, or fine wood sandings, or use in areas where they may be present.

Connect to a properly grounded outlet only. See Grounding Instructions.

Do not pick up anything that is burning or smoking, such as cigarettes, matches, or hot ashes.

Do not use without filters and tanks in place. Do not clean over floor electrical outlets.

CAUTION:

TO REDUCE THE RISK OF DAMAGE:

Store appropriately indoors in a dry place. Do not expose machine to freezing temperatures.

To assist in reducing drying time, be certain the area is well ventilated when using detergents and other cleaners with this machine. To help prevent matting and resoiling, avoid contact with carpets until they are dry. Keep children and pets away from carpets until they are completely dry.

Do not store machine with solution in tanks. With brushes on, do not allow cleaner to sit in one location for an extended period of time, as damage to floor can result.

DO NOT USE THIS MACHINE ON HARD FLOORS. USING THIS PRODUCT ON HARD FLOORS MAY SCRATCH OR DAMAGE YOUR FLOOR.

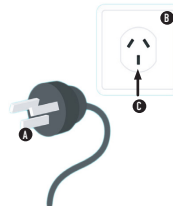
Water will drip from the brushes and underside of the product after use and may puddle. To avoid damage to wood and laminate flooring and to avoid potential slip hazard, after use (a) do not leave the product on wood and laminate surfaces and remove to a hard surface and (b) place unit on absorbent material (such as a towel) to soak up drips.

WARNING:

Improper connection of the equipment-grounding conductor can result in the risk of electric shock. Check with a qualified electrician or service person if you are in doubt as to whether the outlet is properly grounded. Do not modify the plug provided with the appliance - if it will not fit the outlet, have a proper outlet installed by a qualified electrician. This appliance is for use on a nominal 240-volt circuit and has a grounding plug that looks like the plug (A) illustrated.

GROUNDING INSTRUCTIONS

This appliance must be grounded. If it should malfunction or breakdown, grounding provides a path of least resistance for electric current to reduce the risk of electric shock. This appliance is equipped with a cord having an equipment-grounding conductor (C) and grounding plug (A). The plug must be inserted into an appropriate outlet (B) that is properly installed and grounded in accordance with all local codes and ordinances.



IPX4



DO'S

Check with the manufacturer of your flooring prior to using the carpet washer.

The clean water tank should be filled with warm water (max 40°C) only. Filling the clean water tank with hot or boiling water will damage the machine and invalidate the warranty.

Always vacuum your flooring thoroughly before using the carpet washer.

Test all carpets/rugs/upholstery before full usage. Run the carpet washer over a small hidden area. If no damage or pile distortion occurs continue cleaning.

Always unplug the carpet washer before carrying out any maintenance and before connecting or disconnecting the hose/ accessories.

Always check tools and accessories are free from damage, dirt and debris before using.

Take extra care when cleaning on the stairs. Always protect the power cable from heated surfaces or near open flames.

Test all carpets/rugs/upholstery before full usage. Run the carpet washer over a small hidden area. If no damage or pile distortion occurs continue cleaning.

Always unplug the carpet washer before carrying out any maintenance and before connecting or disconnecting the hose/ accessories.

Turn off all controls on the carpet washer before disconnecting or connecting the power cord. After use always wrap the power cord around the cord clips provided.

Always keep the power cord away from the brushes whilst using the carpet washer.

Use only Australian/New Zealand approved 10amp extension cords, non-approved extension cords may over heat.

Care should be taken to arrange the extension cord as it can be a trip hazard.

Always use the carpet washer with all water/ solution tanks and filters in place.

Keep all openings clear and free from debris as this may affect the airflow/suction.

Always use the carpet washer in an upright position. To prevent motor damage from dirty water, never hold the carpet washer upside down or on its side.

Store the carpet washer in a cool, dry area. Before storing the carpet washer please ensure all water/solutions tanks and filters are thoroughly clean and dry.

DONT'S

Don't use the carpet washer if it has been dropped, damaged or left outdoors.

Don't run over the power cord or use the carpet washer if the power cord or plug is damaged. If the supply cord is damaged, it must be replaced by a qualified person in order to avoid a hazard.

Don't use the carpet washer to pick up any flammable or combustible materials (lighter fluid, petrol, kerosene etc.) or use the carpet washer in an area with explosive vapours or liquid.

Don't handle the plug or use the carpet washer with wet hands.

Don't pull or carry the carpet washer by the power cord.

Don't use the carpet washer to pick up hot coals, cigarette butts, matches or smoking hot burning items or use in an area where there may be harmful fluids (chlorine, bleach and ammonia drain cleaner).

Don't use the power cord as a handle, pull the power cord around corners or sharp edges, or close a door over the power cord.

Don't unplug the carpet washer by pulling on the power cord.

Don't carry the carpet washer while it's switched on.

Don't attempt to remove blockages with sharp objects as this may cause damage to the carpet washer.

Don't use the carpet washer with incorrect voltage as this may result in damage or injury to the user. The correct voltage is listed on the ratings label. Don't leave the carpet washer plugged in when unattended.

TECHNICAL SPECIFICATIONS

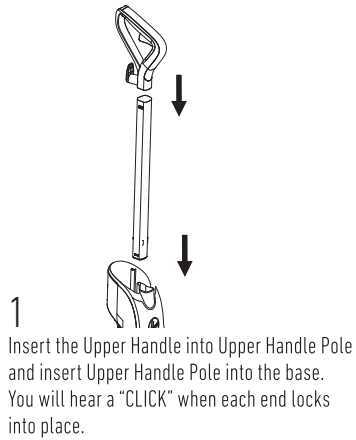
NAME	POWERDASH	WEIGHT	5.6kg
MODEL	FACCW21R0K	DIRTY WATER TANK	1.51L
VOLTAGE	220-240V~50Hz	CLEAN WATER TANK	2.36L
WATTAGE	800W	CORD	6M

Subject to technical change without notice

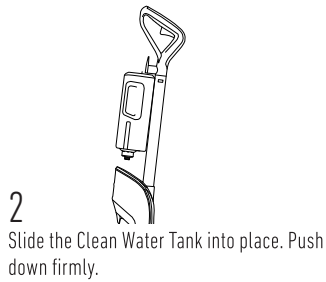
GETTING STARTED

ASSEMBLY

Fully assemble product prior to use.



1 Insert the Upper Handle into Upper Handle Pole and insert Upper Handle Pole into the base. You will hear a "CLICK" when each end locks into place.



2 Slide the Clean Water Tank into place. Push down firmly.

NOTE: To avoid damage to wood floors underneath area rugs or carpet, place waterproof material (ex: plastic) underneath them before cleaning..

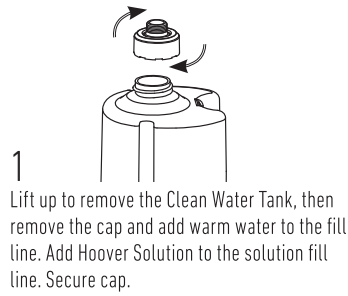
TIP

BEFORE YOU BEGIN CLEANING

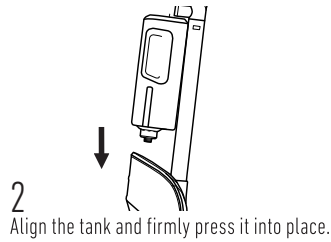
- 1 Vacuum carpet and upholstery thoroughly with a Hoover vacuum before use. Don't use the carpet cleaner as a traditional vacuum cleaner.
- 2 Test for colorfastness in a small, hidden area. Gently rub surface with a dampened white cloth. Wait ten minutes and check for color removal or bleed with a white paper towel.

OPERATION

FILL THE CLEAN WATER TANK



1 Lift up to remove the Clean Water Tank, then remove the cap and add warm water to the fill line. Add Hoover Solution to the solution fill line. Secure cap.



2 Align the tank and firmly press it into place.

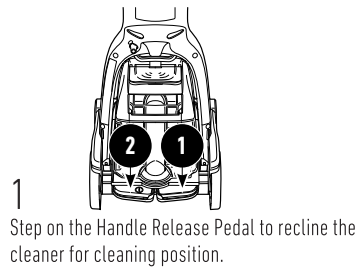
NOTE: Cap must be locked in place for proper performance and to prevent leaking.

NOTE: Read the directions on the Hoover® Carpet Cleaning fluid prior to use.

CAUTION: Not to be used for grooming a pet.

CAUTION: DO NOT USE THIS MACHINE ON HARD FLOORS. USING THIS PRODUCT ON HARD FLOORS MAY SCRATCH OR DAMAGE YOUR FLOOR.

HOW TO CLEAN CARPETS



1 Step on the Handle Release Pedal to recline the cleaner for cleaning position.

2 Step on the Power Pedal to turn ON.

IMPORTANT: Empty Dirty Water Tank when you hear an audible change. Ensure the tank is secured before cleaning.



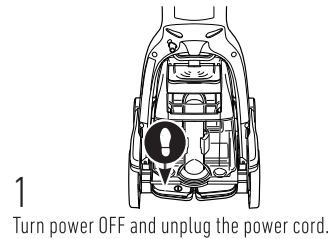
3 Squeeze trigger for a slow forward and backward wet stroke.

4 Release trigger for a slow forward and backward dry stroke.
To Rinse: Fill with warm water and omit adding solution to the Clean Water Tank.

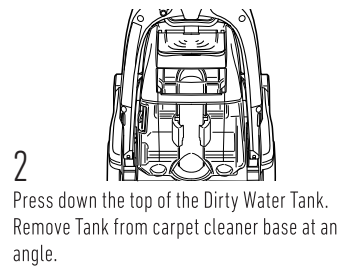
WARNING: Risk of personal injury – Brushroll may suddenly restart – unplug before cleaning.

HOW TO CLEAN THE DIRTY WATER TANK

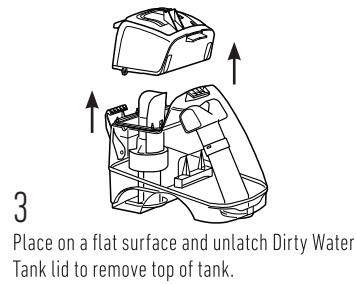
To Dry System: Run system for ten seconds before shutting off without engaging trigger.



1 Turn power OFF and unplug the power cord.



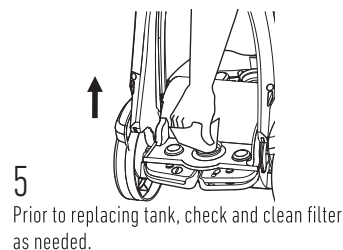
2 Press down the top of the Dirty Water Tank. Remove Tank from carpet cleaner base at an angle.



3 Place on a flat surface and unlatch Dirty Water Tank lid to remove top of tank.



4 Empty tank, rinse, and allow to air dry.



5 Prior to replacing tank, check and clean filter as needed.

MAINTENANCE

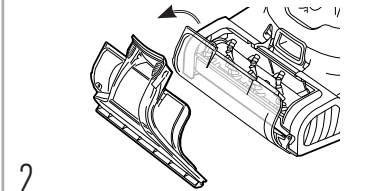
If appliance is not working as it should, has been dropped, damaged, left outdoors, or dropped into water, please contact customer service before continuing use [AU 1-300-698-130] [NZ 0-800-126-688].

HOW TO REMOVE & CLEAN THE BRUSHROLL AND REMOVE THE BELT

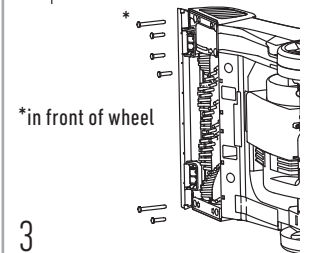
CAUTION: To reduce the risk of injury from moving parts, unplug before servicing.



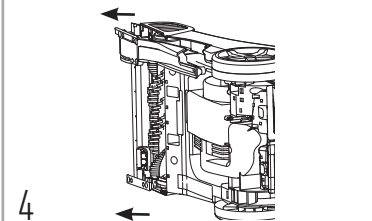
1 Remove the nozzle cover by pulling up and forward on the latch. Rinse nozzle cover and allow to air dry.



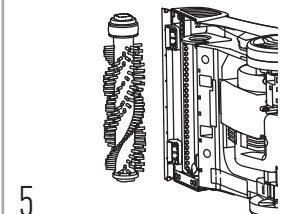
2 Gently grab the finger ledge on front of window, and flip forward. Remove any visible debris. Flip brushroll cover back in place once complete.



*in front of wheel
3 Lay the product down to access the underside. Use a Philips screwdriver to remove 6 screws. Arrows show location of screws on the underside of your cleaner.



4 Remove underside belt cover then pull brushroll out. Belt will still be attached to cleaner.

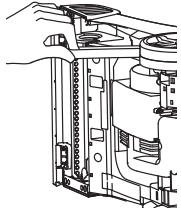
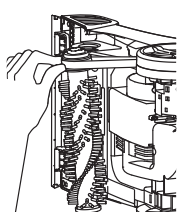
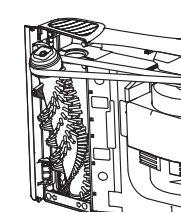
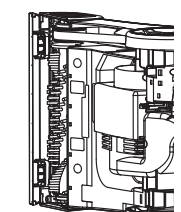
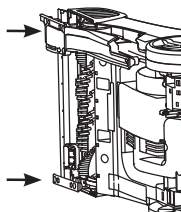


5 Rinse brushroll and allow to air dry.

6 Slide belt off shaft and remove. If replacing belt, install the new belt.

CAUTION: To reduce the risk of injury from moving parts, unplug before servicing.

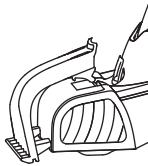
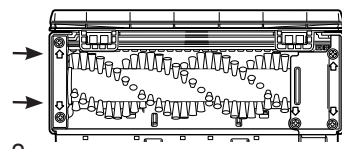
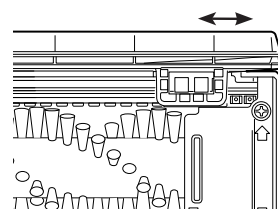
REPLACING THE BELT

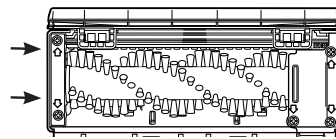
- 1  Place new belt on motor shaft.
- 2  Slip brushroll through belt.
- 3  Position non-belt side end cap of brushroll into pockets.
- 4  Carefully stretch belt to position the other end cap into the pocket.
- 5  Replace belt cover and secure by replacing all 6 screws.

NOTE: Rotate brushrolls manually to make sure belt is not twisted or pinched

LUBRICATION: The motor and brushroll are equipped with bearings which contain sufficient lubrication for their lifetime. The addition of lubricant could cause damage. Do not add lubricant to motor or brushroll.

HOW TO REPLACE BRUSHROLL WINDOW

- 1  Remove the nozzle cover by pulling up and forward on the latch.
- 2  Remove screws 1-2 and the brushroll end cap.
- 3  Slide out brushroll window and replace with new window.



- 4 Replace brushroll end cap and screws. Return nozzle cover back to original location.

THERMAL PROTECTOR*

A thermal protector has been designed into your cleaner to protect it from overheating.

When the thermal protector activates the cleaner will stop running.

If this happens proceed as follows:

1. Turn cleaner OFF.
2. Empty dirty water tank.
3. Inspect the nozzle for any obstructions. Clear obstructions if present.
4. When cleaner is de-energized and motor cools for 30 minutes, the thermal protector will deactivate and cleaning may continue.

If the thermal protector continues to activate after following the above steps, your cleaner needs servicing.

*Available on select models.

TROUBLESHOOTING

WARNING: Risk of personal injury—Unplug before cleaning or servicing.

REPLACEMENT PARTS AND ACCESSORIES SUCH AS SOLUTIONS AVAILABLE AT HOOVER.COM.

IF APPLIANCE IS NOT WORKING AS IT SHOULD, HAS BEEN DROPPED, DAMAGED, LEFT OUTDOORS, OR DROPPED INTO WATER, CALL CUSTOMER SERVICE AT [AU 1-300-698-130] [NZ 0-800-126-688]. PRIOR TO CONTINUING USE.

ALWAYS IDENTIFY YOUR CLEANER BY THE COMPLETE MODEL NUMBER. (THE MODEL NUMBER APPEARS ON THE BACK OF THE CLEANER.)

PROBLEM	POSSIBLE CAUSE	POSSIBLE SOLUTION
Cleaner won't run.	1. Not firmly plugged in. 2. Needs Service	1. Plug unit in firmly. 2. Call our Customer Service 1300-698-130 (AU) 0800-126-688 (NZ)
Low suction.	1. Dirty Water Tank full/automatic shut off engaged. 2. Dirty Water Tank lid not latched correctly. 3. Dirty Water Tank Debris Filter Clogged. 4. Blockage in nozzle. 5. Dirty Water Tank not properly secured. 6. Clogged Filter.	1. Remove and empty Dirty Water Tank. 2. Tighten. 3. See "How to Clean Dirty Water Tank." 4. See "Maintenance." 5. Replace Dirty Water Tank securely. 6. Clean it.
Clean water won't dispense.	1. Clean Water Tank not firmly in place. 2. Clean Water Tank or solution container empty.	1. Make sure tank is securely locked in position. 2. Refill container according to cleaning instructions. 3. Ensure trigger is being pulled.
Brushes won't rotate during floor cleaning.	1. Check for jams and/or broken belt.	1. Turn the cleaner off and unplug from electrical outlet. Remove any obstructive debris or replace the belt.

STORAGE: Wrap the power cord around the cord hooks for convenient storage. Attach the plug end to the cord. Allow brushes and underside of carpet cleaner to air dry thoroughly before storing carpet cleaner on a carpeted or wood surface.